

HEAT/MASTER

Warmth Atmosphere Style

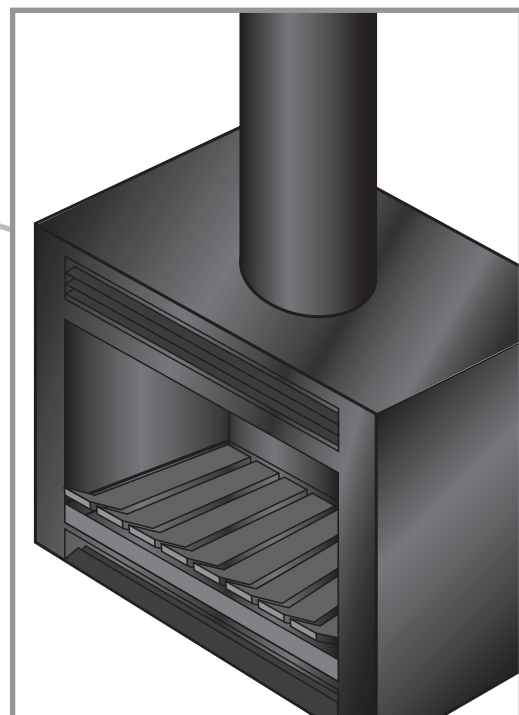
THE "A" SERIES

Standard Insulated Heatmaster Fireplace Installation Guide

Heatmaster
National Office
2/9 Nicole Close
Bayswater Victoria 3153
Phone: 03 9761 7130
Fax: 03 9761 7134

Heatmaster
NSW, QLD, ACT
2/23 Victoria Avenue
Castle Hill NSW 2154
Phone: 02 9894 7950
Fax: 02 9894 7265

www.heatmaster.com.au



AUSTRALIAN
HOME HEATING
ASSOCIATION INC.

HEATMASTER

Heatmaster fully insulated firebox "A Series". Suitable for timber or brick installation.

The Heatmaster open fireplace system comes as a fully self-contained fireplace kit. The firebox, log grate, ashtray, flues and cowl are the basic components (Fig 1A). When installing your Heatmaster fireplace please be sure to read the following carefully and to comply with all clearances. Full specifications are available upon request.

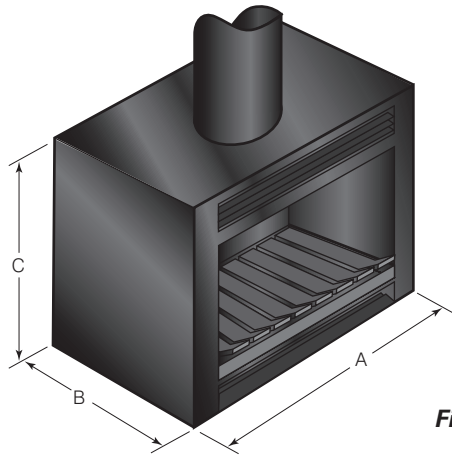


Fig 1A

Fig 1A - Flue System sizes and Specifications

Model No	A450	A650	A750	A900
Inner Flue	150mm	180mm	200mm	200mm
Outer Flue	200mm	230mm	250mm	250mm

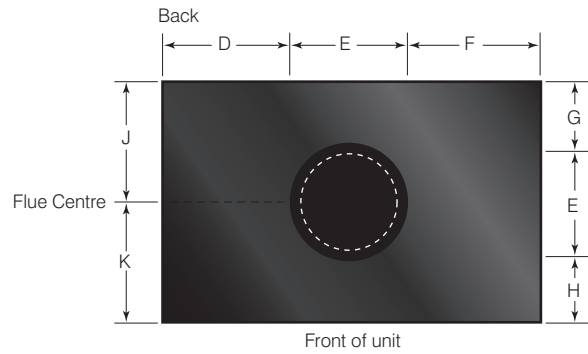


Fig 1A - Dimensions

Model No	A	B	C	D	E	F	G	H	J	K
A450	595mm	395mm	670mm	195mm	205mm	195mm	90mm	100mm	195mm	200mm
A650	840mm	470mm	680mm	315mm	205mm	315mm	155mm	110mm	255mm	215mm
A750	910mm	495mm	680mm	325mm	260mm	325mm	140mm	90mm	270mm	225mm
A900	1060mm	565mm	740mm	400mm	260mm	400mm	180mm	125mm	315mm	250mm

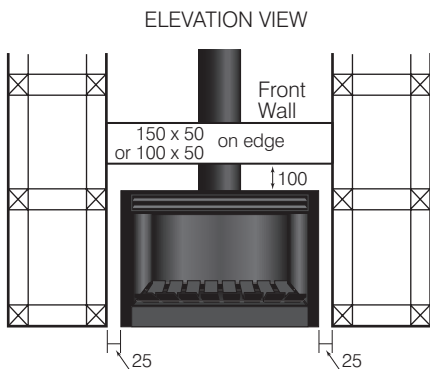


Fig 1B

Fig 1B - Min. Framing Dimensions on Non-combustible floor

Model No	A450	A650	A750	A900
Height from non combustible floor	770mm	780mm	780mm	840mm
Width	645mm	890mm	960mm	1110mm
Depth "C"	430mm	505mm	530mm	600mm

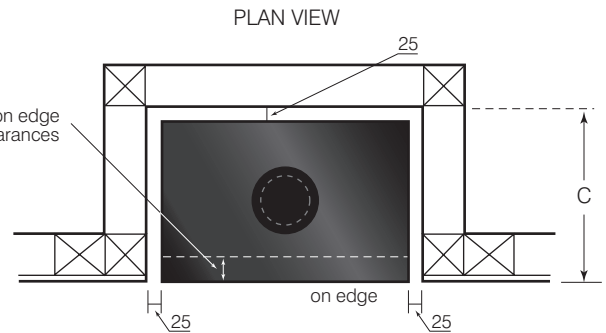


Fig 1B - Min. Framing Dimensions using standard hearth (fig 2A) on combustible floor

Model No	A450	A650	A750	A900
Height from combustible floor	808mm	818mm	818mm	878mm
Width	645mm	890mm	960mm	1110mm
Depth "C"	430mm	505mm	530mm	600mm

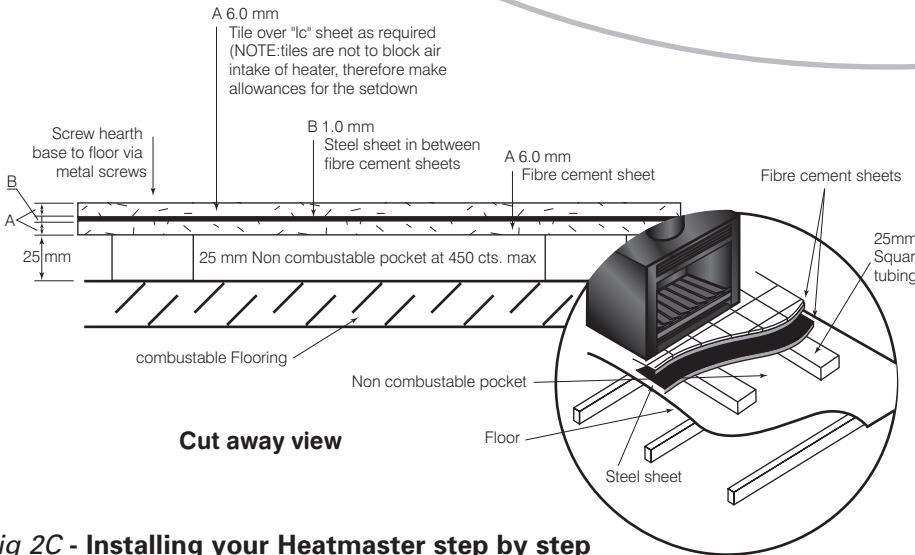
HEATMASTER

Hearth details

Hearth details for combustible flooring.

The hearth required under the Heatmaster firebox consists of two sheets of 6mm thick fibre-cement with a 1mm thick sheet of steel between them. It must be spaced off the floor with non-combustible spaces (square tubing) to give a 25mm ventilated air gap (Fig 2A). It should extend 350mm in front, 25mm behind and 200mm either side of the firebox opening. (Fig 2B)

Fig 2A - Hearth Installation



Cut away view

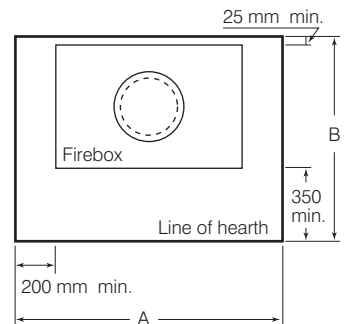
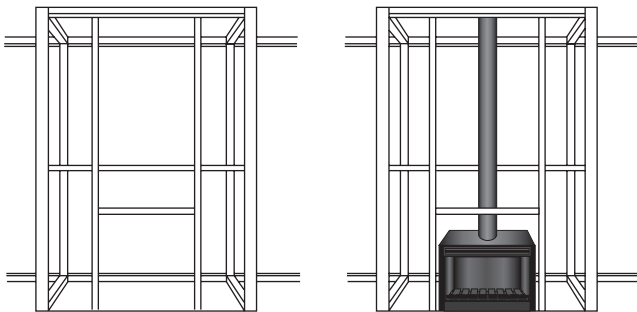


Fig 2B - Hearth Installation

Model No	width 'A'	depth 'B'
A450	995mm	770mm
A650	1240mm	845mm
A750	1310mm	870mm
A900	1460mm	940mm

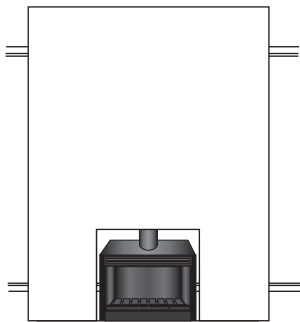
Fig 2C - Installing your Heatmaster step by step

Timber Installation. Fully insulated Models
A step by step guide to installing "A series" Heatmaster.



STEP 1

STEP 2



STEP 3

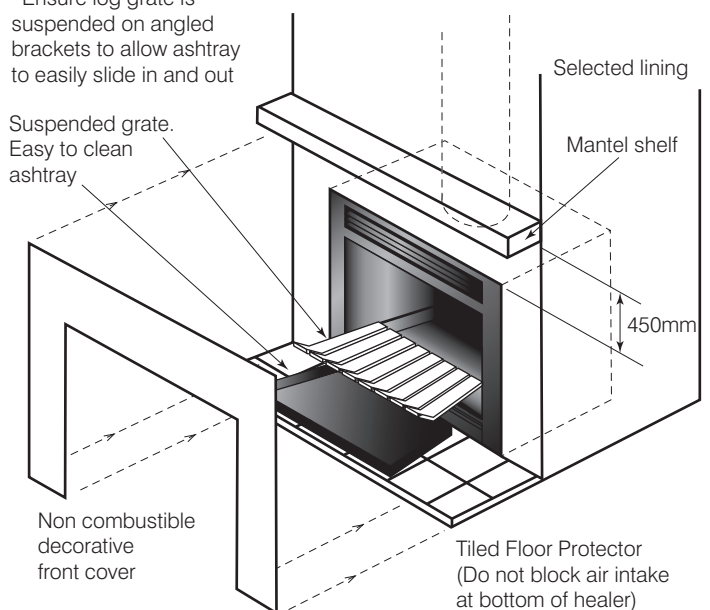
Step three.
Enclose framing with plasterboard/gyprock or timber paneling, ensuring approved clearances are maintained.

Step one.
After selecting your Heatmaster unit and installing your hearth (see above diagram fig 2A) erect frame work with the appropriate clearance (see timber framing specification fig 1B).

Step two.
Install selected insulated "A series" Heatmaster unit along with flues (see Flue detail diagram fig 3A).

Fig 2D - Finishing your Heatmaster installation

*Ensure log grate is suspended on angled brackets to allow ashtray to easily slide in and out



Step four.
Select one of our many finishing options. A wide range of stone, marble, cast iron or steel fascias and mantelpieces are available.

HEATMASTER

Flue details

Fluing your Heatmaster fireplace.

The Heatmaster double skin flue kit, into timber and plaster must have clearance of 25mm from any combustible material. Be sure the inner stainless steel flue crimped end faces down while the outer galvanized flue crimped end faces up. The first length of galvanized flue must have ventilation holes at the bottom; these cool the flue down by allowing air to travel in between the two skins.

Be sure to pop rivet (or use self-tapers) each stainless and galvanized flue length together along with the cowl.

The flue must protrude above the roofline by no less than 600mm with nothing obstructing within 3600mm.

(See diagram 3B)

Fig 3A - Flue installation

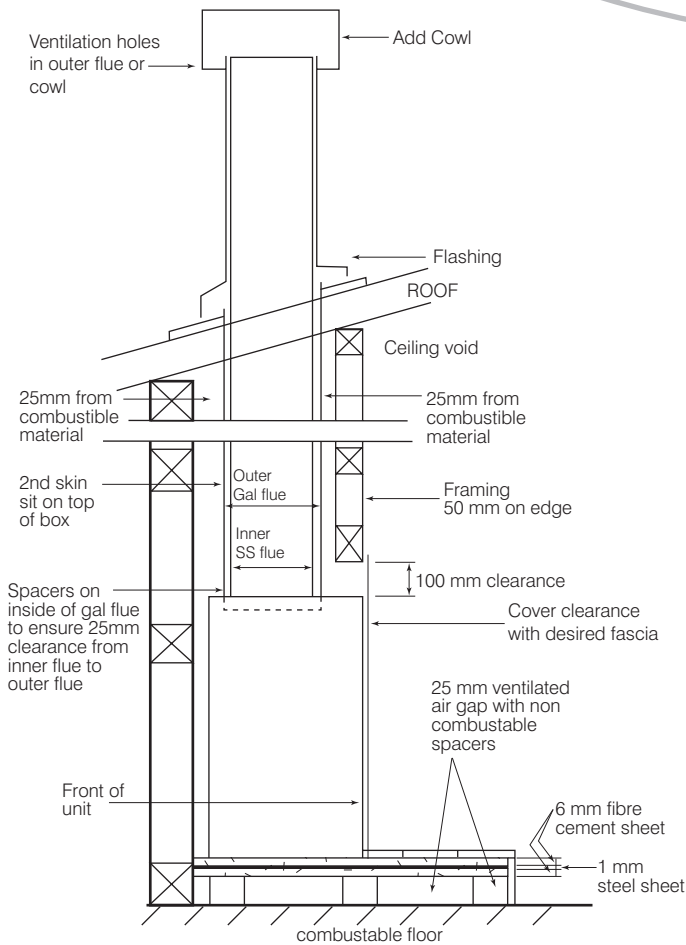


Fig 3B - Flue Roof Clearance

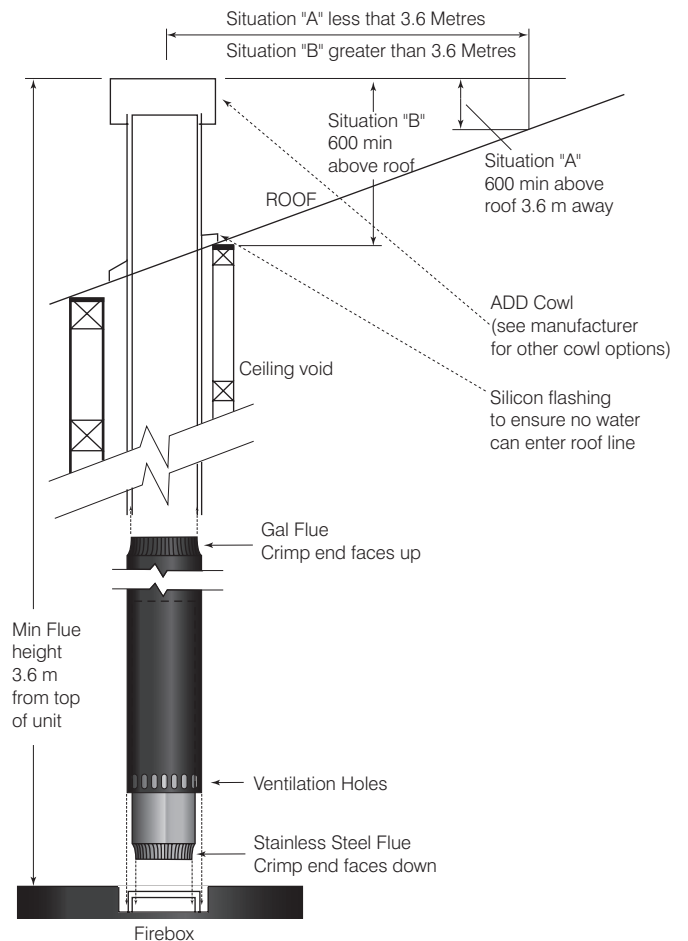


Fig 3C - Off sets and Clearances

